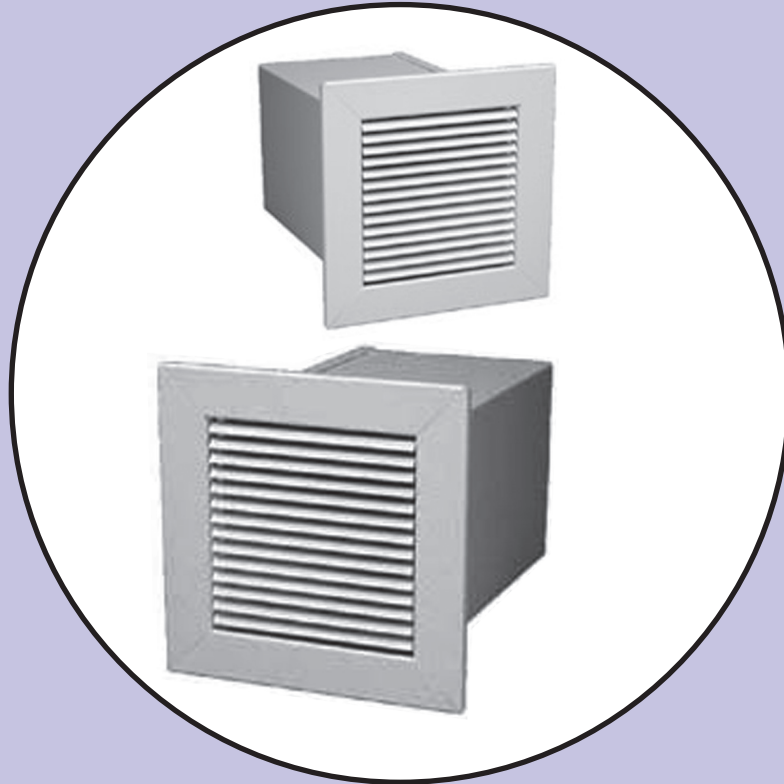


جي جي سي

G G C

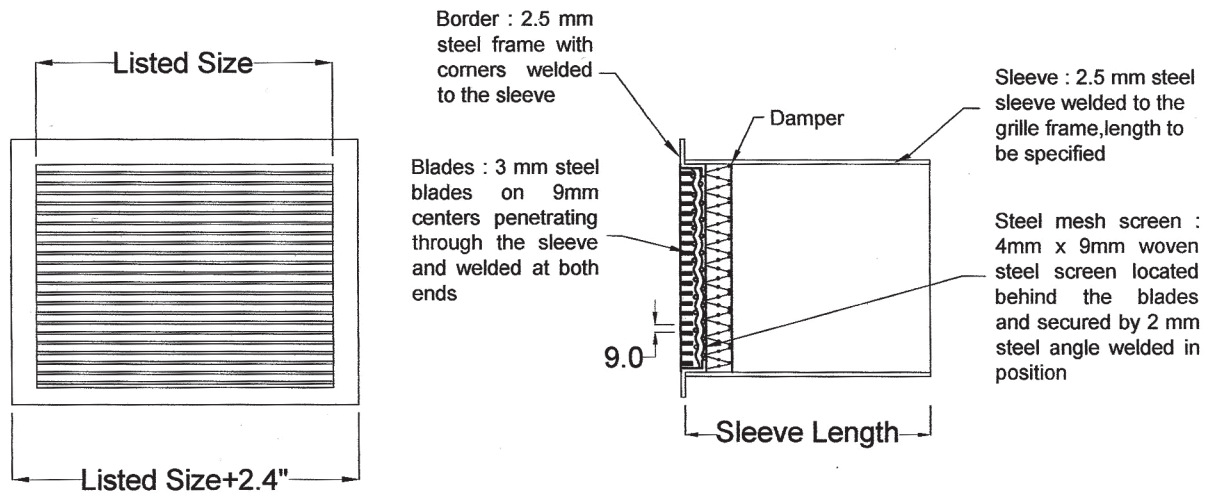
شركة الخليج لفتحات التكييف المركزي

GULF GRILLES CO.



HEAVY DUTY HORIZONTAL
BAR SECURITY GRILLE

A18 HEAVY DUTY HORIZONTAL
BAR SECURITY GRILLE



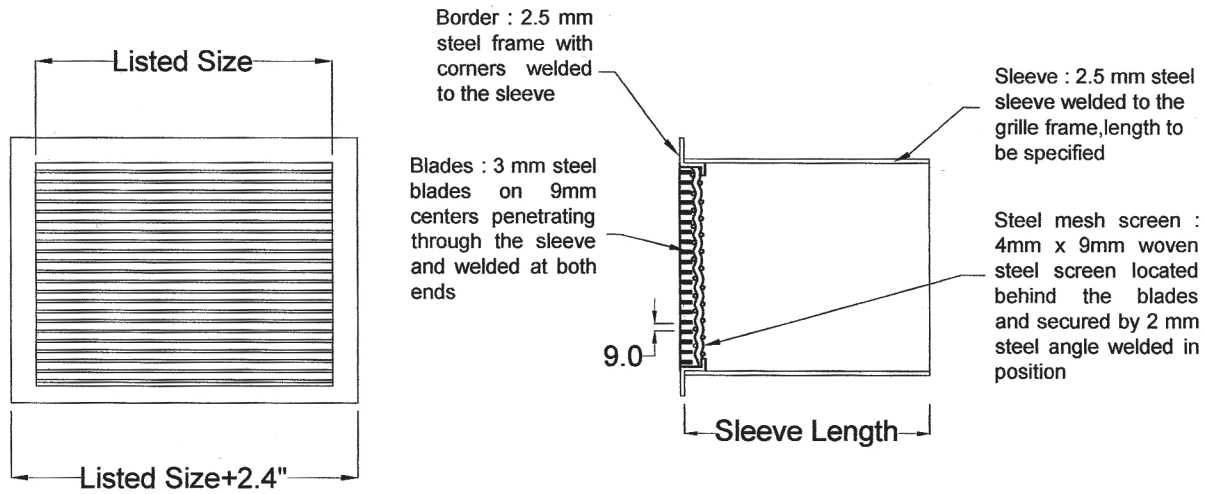
GGC SGJ series extra heavy duty security grilles characterized by all welded construction and integral wall sleeves. The unit is most suitable for the places where security is critically important such as prisons, cell blocks.

Product details:

- 2.5 mm hot rolled steel faceplate
- 3 mm x 12 mm zero deflection steel blades welded to the sleeve and become an integral part of the grille.
- 2.5 mm hot rolled steel sleeve, length 12" welded to the face plate

- 4mm x 9.5mm clear opening wire mesh screen secured tightly by integral face plate angle.
- Hot rolled steel angle frame is used for field attachment to the sleeve, to assist the security grille securely unit in the wall.
- Standard finish: white painted under electrostatic polyester powder coated system. Other colors available on request. The polyester powder of highest quality are used to enhance the appearance of the unit

Size(inches)	CFM(range)	Size(inches)	CFM(range)	Size(inches)	CFM(range)	Size(inches)	CFM(range)
6X6	75-250	12X12	300-1000	18X18	675-2250	24X24	1200-4000
8X8	130-445	14X14	408-1361	20X20	833-2778	26X26	1400-4694
10X10	208-695	16X16	533-1778	22X22	1008-3361	28X28	1630-5444



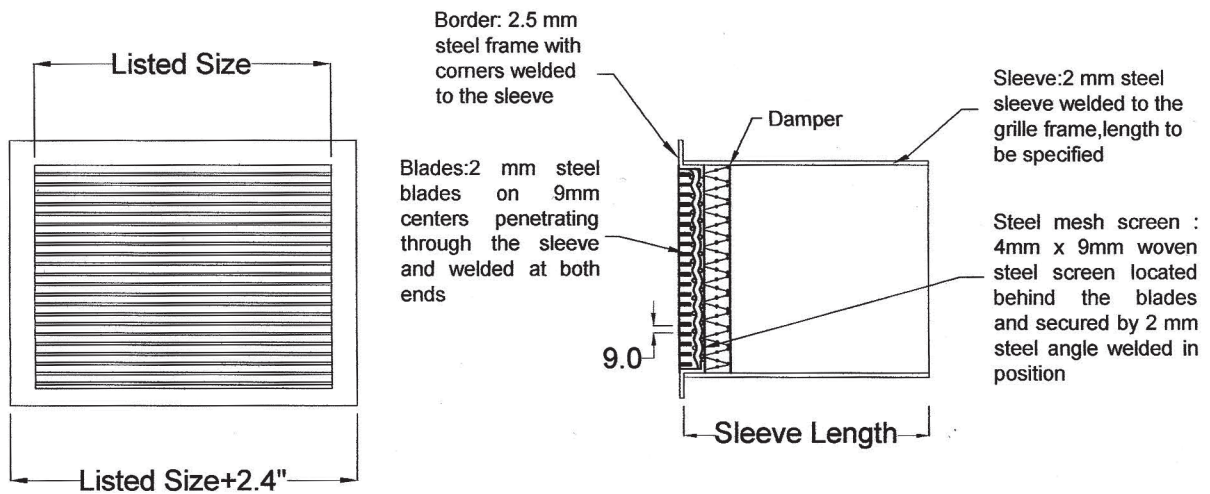
GGC SGJ series extra heavy duty security grilles characterized by all welded construction and integral wall sleeves. The unit is most suitable for the places where security is critically important such as prisons, cell blocks.

Product details:

- 2.5 mm hot rolled steel faceplate
- 3 mm x 12 mm zero deflection steel blades welded to the sleeve and become an integral part of the grille.
- 2.5 mm hot rolled steel sleeve, length 12" welded to the face plate

- 4mm x 9.5mm clear opening wire mesh screen secured tightly by integral face plate angle.
- Hot rolled steel angle frame is used for field attachment to the sleeve, to assist the security grille securely unit in the wall.
- Standard finish: white painted under electrostatic polyester powder coated system. Other colors available on request. The polyester powder of highest quality are used to enhance the appearance of the unit

Size(inches)	CFM(range)	Size(inches)	CFM(range)	Size(inches)	CFM(range)	Size(inches)	CFM(range)
6X6	75-250	12X12	300-1000	18X18	675-2250	24X24	1200-4000
8X8	130-445	14X14	408-1361	20X20	833-2778	26X26	1400-4694
10X10	208-695	16X16	533-1778	22X22	1008-3361	28X28	1630-5444

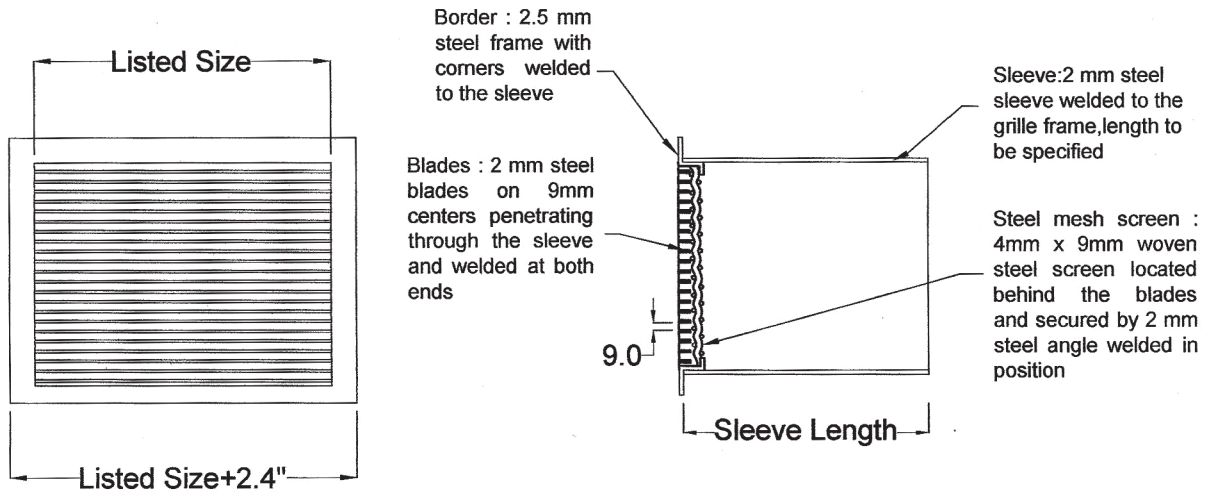


GGC SGJ series extra heavy duty security grilles characterized by all welded construction and integral wall sleeves. The unit is most suitable for the places where security is critically important such as prisons, cell blocks.

Product details:

- 2.5 mm hot rolled steel faceplate
- 2 mm x 12mm zero deflection steel blades welded to the sleeve and become an integral part of the grille.
- 2 mm hot rolled steel sleeve, length 12" welded to the face plate
- 4mm x 9.5mm clear opening wire mesh screen secured tightly by integral face plate angle.
- Hot rolled steel angle frame is used for field attachment to the sleeve, to assist the security grille securely unit in the wall.
- Standard finish: white painted under electrostatic polyester powder coated system. Other colors available on request. The polyester powder of highest quality are used to enhance the appearance of the unit

Size(inches)	CFM(range)	Size(inches)	CFM(range)	Size(inches)	CFM(range)	Size(inches)	CFM(range)
6X6	75-250	12X12	300-1000	18X18	675-2250	24X24	1200-4000
8X8	130-445	14X14	408-1361	20X20	833-2778	26X26	1400-4694
10X10	208-695	16X16	533-1778	22X22	1008-3361	28X28	1630-5444



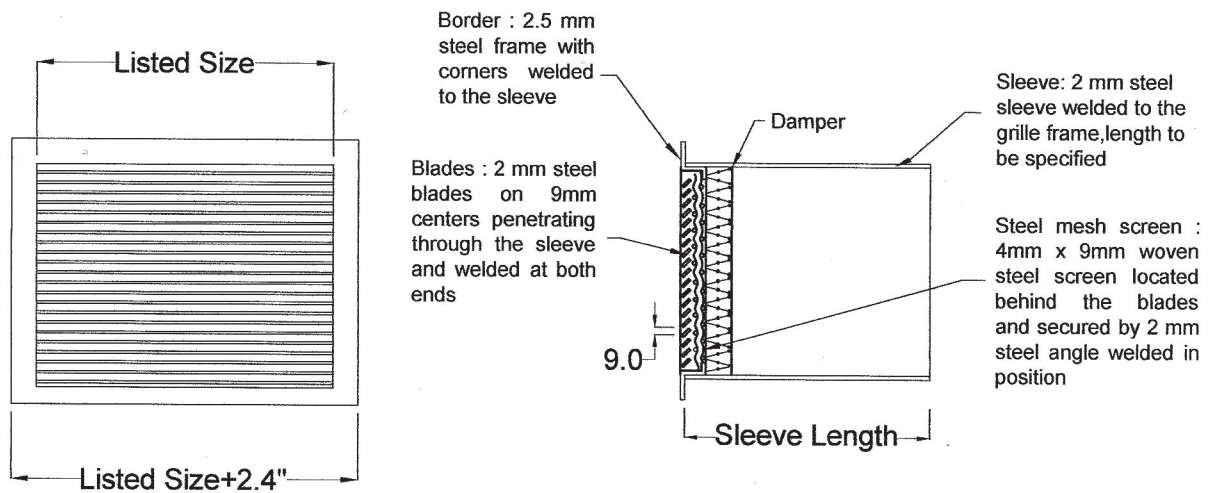
GGC SGJ series extra heavy duty security grilles characterized by all welded construction and integral wall sleeves. The unit is most suitable for the places where security is critically important such as prisons, cell blocks.

Product details:

- 2.5 mm hot rolled steel faceplate
- 2 mm x 12mm zero deflection steel blades welded to the sleeve and become an integral part of the grille.
- 2 mm hot rolled steel sleeve, length 12" welded to the face plate

- 4mm x 9.5mm clear opening wire mesh screen secured tightly by integral face plate angle.
- Hot rolled steel angle frame is used for field attachment to the sleeve, to assist the security grille securely unit in the wall.
- Standard finish: white painted under electrostatic polyester powder coated system. Other colors available on request. The polyester powder of highest quality are used to enhance the appearance of the unit

Size(inches)	CFM(range)	Size(inches)	CFM(range)	Size(inches)	CFM(range)	Size(inches)	CFM(range)
6X6	75-250	12X12	300-1000	18X18	675-2250	24X24	1200-4000
8X8	130-445	14X14	408-1361	20X20	833-2778	26X26	1400-4694
10X10	208-695	16X16	533-1778	22X22	1008-3361	28X28	1630-5444



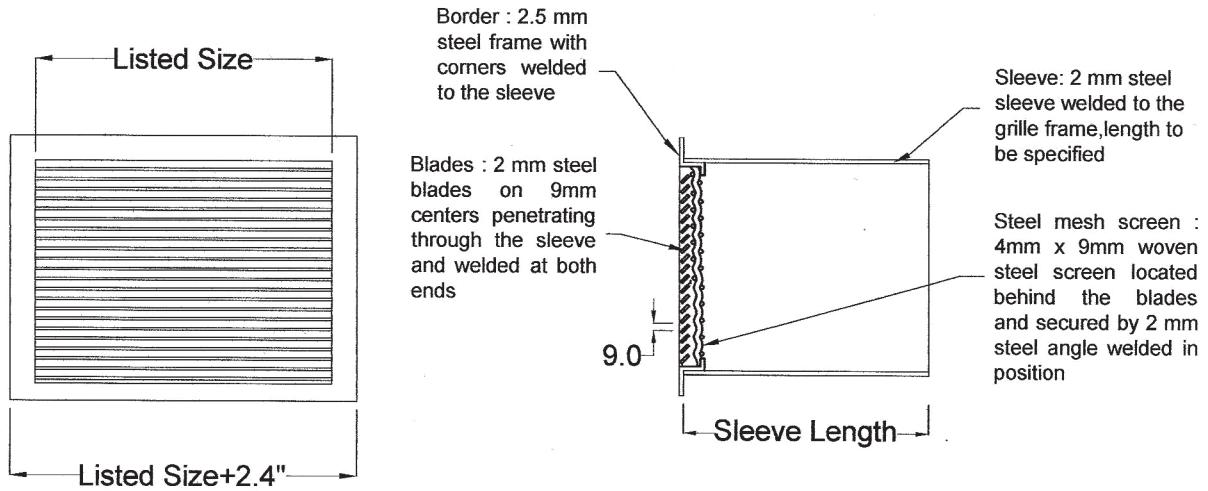
GGC SGJ series extra heavy duty security grilles characterized by all welded construction and integral wall sleeves. The unit is most suitable for the places where security is critically important such as prisons, cell blocks.

Product details:

- 2.5 mm hot rolled steel faceplate
- 2 mm x 12mm zero deflection steel blades welded to the sleeve and become an integral part of the grille.
- 2 mm hot rolled steel sleeve, length 12" welded to the face plate

- 4mm x 9.5mm clear opening wire mesh screen secured tightly by integral face plate angle.
- Hot rolled steel angle frame is used for field attachment to the sleeve, to assist the security grille securely unit in the wall.
- Standard finish: white painted under electrostatic polyester powder coated system. Other colors available on request. The polyester powder of highest quality are used to enhance the appearance of the unit

Size(inches)	CFM(range)	Size(inches)	CFM(range)	Size(inches)	CFM(range)	Size(inches)	CFM(range)
6X6	75-250	12X12	300-1000	18X18	675-2250	24X24	1200-4000
8X8	130-445	14X14	408-1361	20X20	833-2778	26X26	1400-4694
10X10	208-695	16X16	533-1778	22X22	1008-3361	28X28	1630-5444



GGC SGJ series extra heavy duty security grilles characterized by all welded construction and integral wall sleeves. The unit is most suitable for the places where security is critically important such as prisons, cell blocks.

Product details:

- 2.5 mm hot rolled steel faceplate
- 2 mm x 12mm zero deflection steel blades welded to the sleeve and become an integral part of the grille.
- 2 mm hot rolled steel sleeve, length 12" welded to the face plate

- 4mm x 9.5mm clear opening wire mesh screen secured tightly by integral face plate angle.
- Hot rolled steel angle frame is used for field attachment to the sleeve, to assist the security grille securely unit in the wall.
- Standard finish: white painted under electrostatic polyester powder coated system. Other colors available on request. The polyester powder of highest quality are used to enhance the appearance of the unit

Size(inches)	CFM(range)	Size(inches)	CFM(range)	Size(inches)	CFM(range)	Size(inches)	CFM(range)
6X6	75-250	12X12	300-1000	18X18	675-2250	24X24	1200-4000
8X8	130-445	14X14	408-1361	20X20	833-2778	26X26	1400-4694
10X10	208-695	16X16	533-1778	22X22	1008-3361	28X28	1630-5444

HEAVY DUTY SUPPLY SECURITY GRILLE PERFORMANCE DATA

Size	Neck Velocity(fpm)	300	400	500	600	700	800	900	1000
	Velocity Pressure(in.w.g)	0.006	0.010	0.016	0.022	0.031	0.040	0.050	0.062
	Total Pressure(in.w.g)	0.025	0.045	0.070	0.101	0.137	0.180	.227	.281
6x6	cfm	75	100	125	150	175	200	225	250
	NC	-	-	17	23	27	31	35	38
	Throw,ft	9-17	12-20	15-22	17-24	19-26	20-28	21-30	22-31
8x8	cfm	133	178	222	267	311	356	400	444
	NC	-	-	18	23	28	32	36	39
	Throw,ft	12-23	16-26	20-30	23-32	25-35	26-37	28-40	30-42
10x10	cfm	208	278	347	417	486	556	625	694
	NC	-	-	18	24	29	33	36	40
	Throw,ft	15-29	20-33	25-37	29-40	31-44	33-47	35-49	37-52
12x12	cfm	300	400	500	600	700	800	900	1000
	NC	-	-	19	24	29	33	37	40
	Throw,ft	18-34	24-40	31-44	34-48	37-52	40-56	42-59	44-63
14x14	cfm	408	544	681	817	953	1089	1225	1361
	NC	-	-	19	25	30	34	37	40
	Throw,ft	21-40	29-46	36-52	40-57	43-61	46-65	49-69	52-73
16x16	cfm	533	711	889	1067	1244	1422	1600	1778
	NC	-	-	20	25	30	34	38	41
	Throw,ft	24-46	33-53	41-59	46-65	49-70	53-75	56-79	59-83
18x18	cfm	675	900	1125	1350	1575	1800	2025	2250
	NC	-	-	20	26	30	34	38	41
	Throw,ft	27-51	37-59	46-66	51-73	56-79	59-84	63-89	66-94
20x20	cfm	833	1111	1389	1667	1944	2222	2500	2778
	NC	-	-	20	26	30	35	38	41
	Throw,ft	31-57	41-66	51-74	57-81	62-87	66-93	70-99	74-104
22x22	cfm	1008	1344	1681	2017	2353	2689	3025	3361
	NC	-	-	21	26	31	35	38	
	Throw,ft	34-63	45-73	56-81	63-89	68-96	73-103	77-109	81-115
24x24	cfm	1200	1600	2000	2400	2800	3200	3600	4000
	NC	-	-	21	26	31	35	39	42
	Throw,ft	37-69	49-79	61-89	69-87	74-105	79-112	84-119	89-125
26x26	cfm	1408	1878	2347	2817	3286	3756	4225	4694
	NC	-	-	21	26	31	35	39	42
	Throw,ft	40-74	53-86	66-96	74-105	80-113	86-121	91-129	96-136
28x28	cfm	1633	2178	2722	3267	3811	4356	4900	5444
	NC	-	-	21	27	31	35	39	42
	Throw,ft	43-80	57-92	71-103	80-113	86-122	92-131	98-139	103-146
30x30	cfm	1875	2500	3125	3750	4375	5000	5625	6250
	NC	-	-	21	27	32	36	39	42
	Throw,ft	46-86	61-99	76-111	86-121	93-131	99-140	105-148	111-157

Throw data in feet based on isothermal air at 100fpm and 50fpm terminal velocity