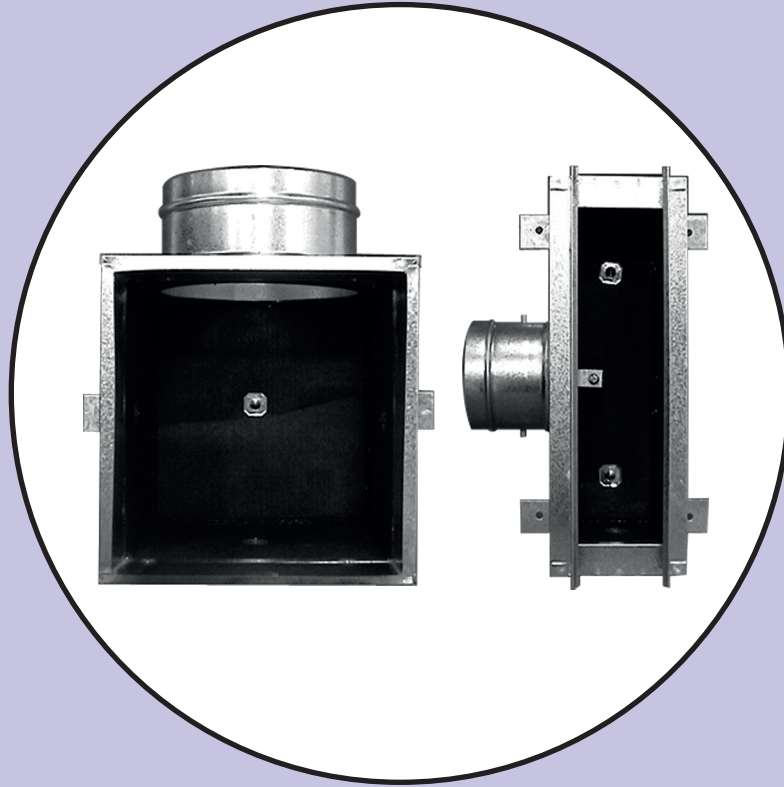


جي جي سي

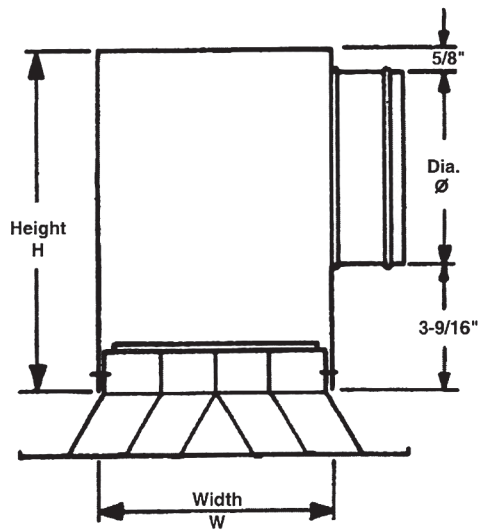
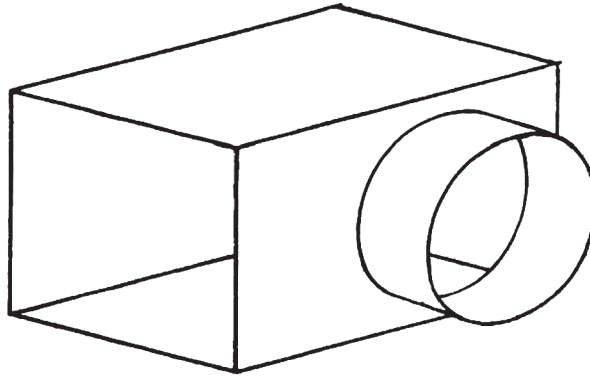
G G C

شركة الخليج لفتحات التكييف المركزي
GULF GRILLES CO.



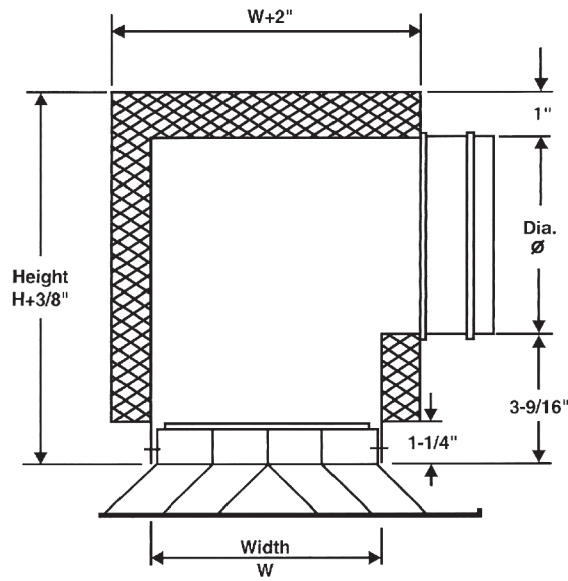
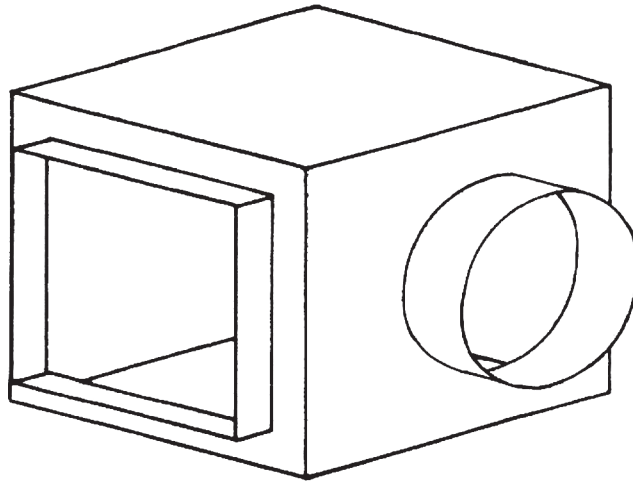
PLENUM BOXES

B06
PLENUM
BOXES



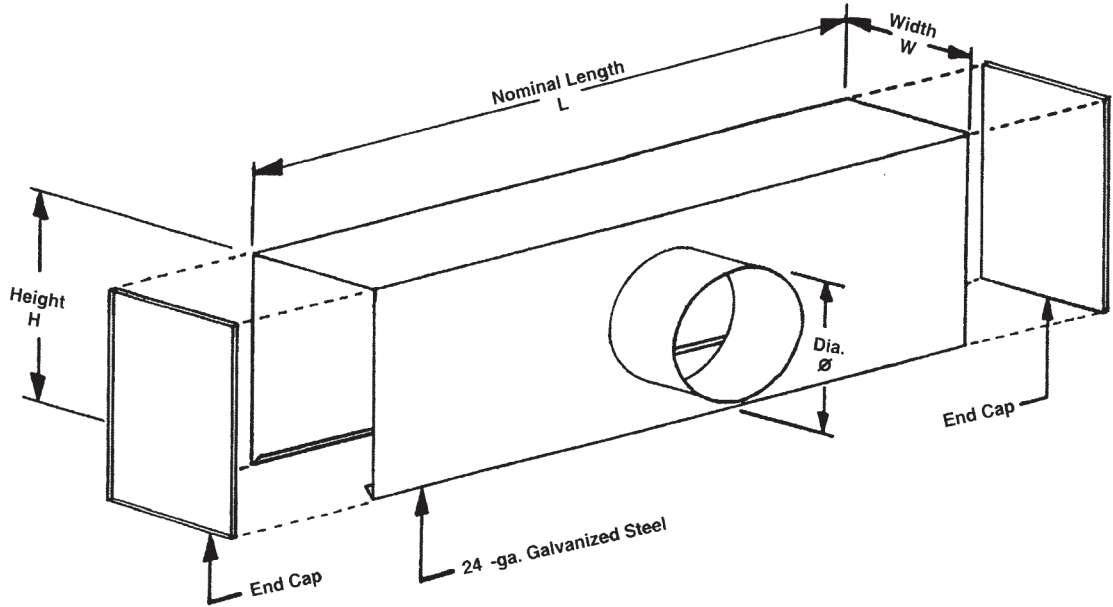
Sizes

Sizes (in.)	ØD (in.)	W (in.)	H (in.)
6 x 6	5	6.28	9.14
9 x 9	8	9.28	12.13
12 x 12	10	12.28	14.13
15 x 15	12	15.28	16.14
18 x 18	16	18.28	20.14
21 x 21	16	21.28	20.14
24 x 24	20	24.28	24.14

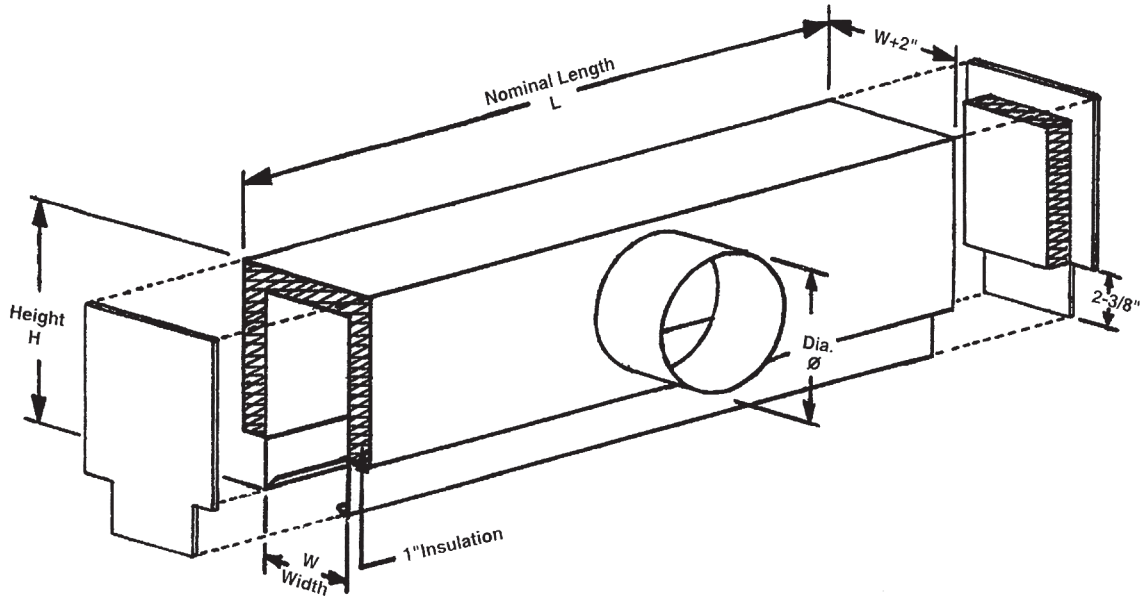


Sizes

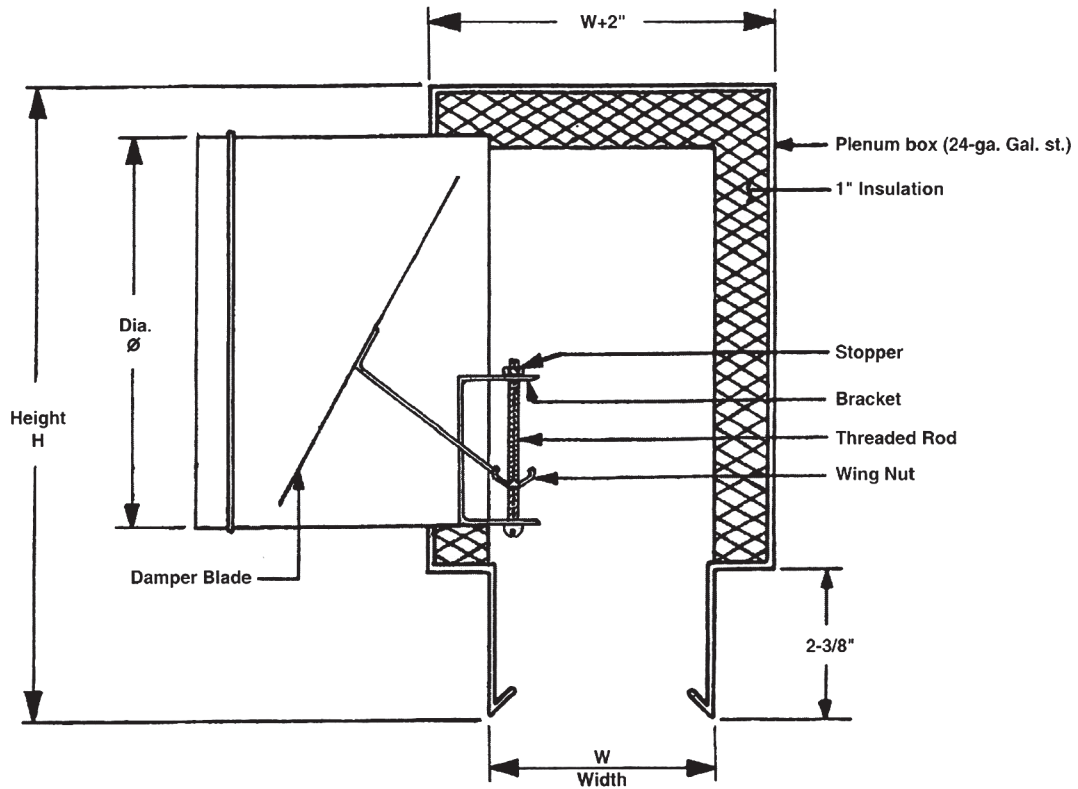
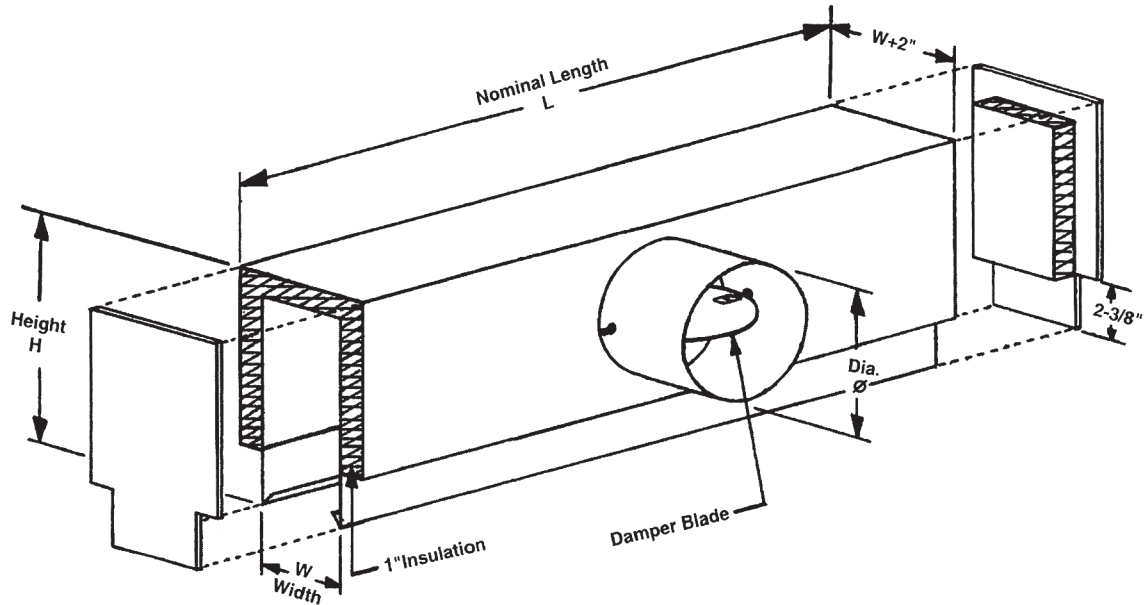
Sizes (in.)	ØD (in.)	W (in.)	H (in.)
6 x 6	5	6.28	9.14
9 x 9	8	9.28	12.13
12 x 12	10	12.28	14.13
15 x 15	12	15.28	16.14
18 x 18	16	18.28	20.14
21 x 21	16	21.28	20.14
24 x 24	20	24.28	24.14



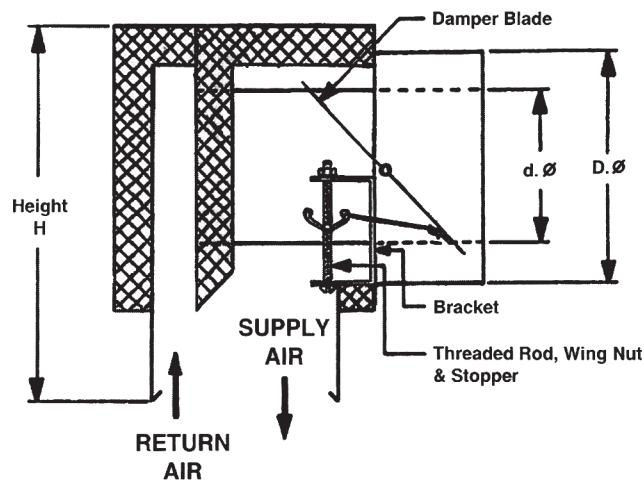
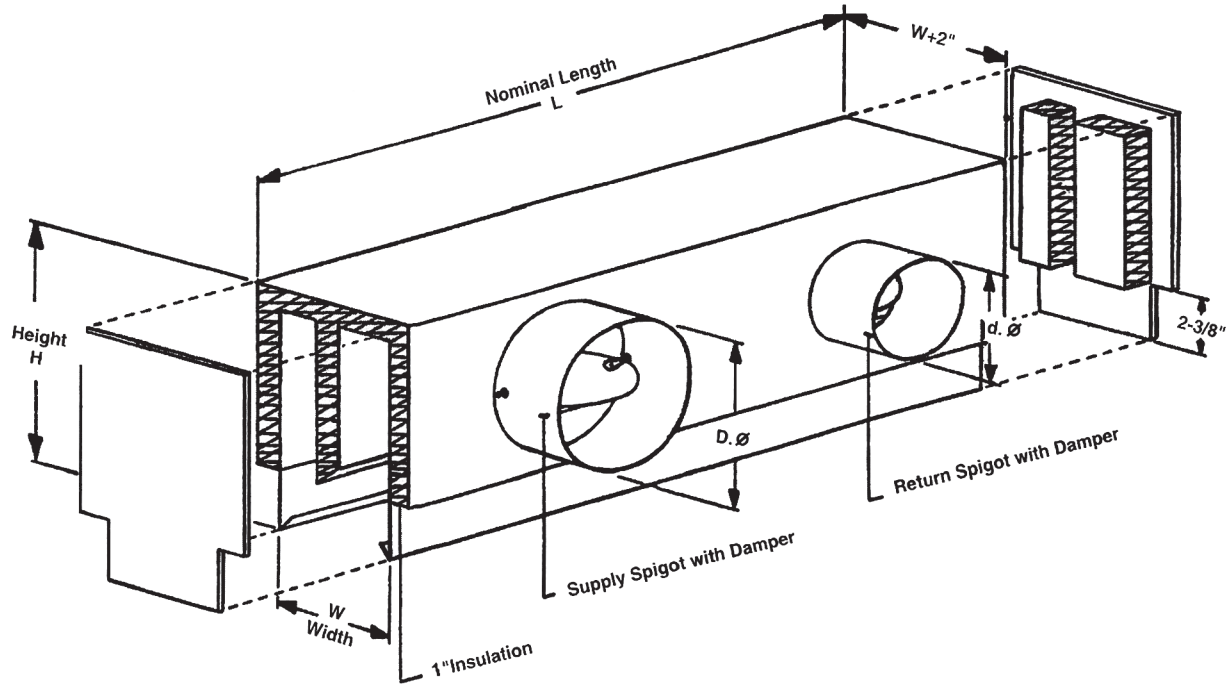
No. of Slots	1	2	3	4	5	6	7	8
Height (in.)	8.36	9.36	11.36	11.36	13.36	13.36	15.36	15.36
Width (in.)	2.28	3.62	4.96	6.29	7.68	9.02	10.28	11.57
Diameter (in.)	5	6	8	8	10	10	12	12
Spigot Length – Without Damper. (in.)	4	4	4	4	4	4	4	4



No. of Slots	1	2	3	4	5	6	7	8
Height (in.)	9.36	10.36	12.36	12.36	14.36	14.36	16.36	16.36
Width (in.)	2.28	3.62	4.96	6.29	7.68	9.02	10.28	11.57
Diameter (in.)	5	6	8	8	10	10	12	12
Spigot Length – Without Damper. (in.)	4	4	4	4	4	4	4	4



No. of Slots	1	2	3	4	5	6	7	8
Height (in.)	9.36	10.36	12.36	12.36	14.36	14.36	16.36	16.36
Width (in.)	2.28	3.62	4.96	6.29	7.68	9.02	10.28	11.57
Diameter (in.)	5	6	8	8	10	10	12	12
Spigot Length With Damper and Without Damper. (in.)	4	4	4	4	4	4	4	4



**PLENUM BOXES
PERFORMANCE DATA
SLOT DIFFUSER WITH PLENUM 1, 2, 3 & 4 SLOT
(3/4" SLOT WIDTH)**



1 - SLOT

Length 2 Ft. Inlet 6 in.	Ak 0.049	CFM	15	25	35	50	75	100
		Total Pressure	0.008	0.022	0.043	0.088	0.197	0.350
		Throw	2 - 5	5 - 7	7 - 9	10 - 11	12 - 15	14 - 17
		NC	<20	<20	<20	<20	31	39
Length 4 Ft. Inlet 6 in.	Ak 0.098	CFM	25	50	75	100	125	175
		Total Pressure	0.006	0.025	0.056	0.100	0.156	0.316
		Throw	2 - 5	7 - 10	10 - 15	14 - 17	16 - 19	19 - 22
		NC	<20	<20	<20	22	28	38
Length 5 Ft. Inlet 8 in.	Ak 0.123	CFM	50	75	100	125	150	200
		Total Pressure	0.015	0.033	0.059	0.092	0.132	0.234
		Throw	6 - 9	9 - 13	12 - 17	15 - 19	17 - 21	20 - 24
		NC	<20	<20	<20	23	28	37

2 - SLOT

Length 2 Ft. Inlet 6 in.	Ak 0.098	CFM	25	50	75	100	125	150
		Total Pressure	0.006	0.025	0.056	0.100	0.156	0.224
		Throw	2 - 5	7 - 10	10 - 15	14 - 17	16 - 19	17 - 21
		NC	<20	<20	<20	22	28	34
Length 4 Ft. Inlet 8 in.	Ak 0.196	CFM	50	100	150	200	250	300
		Total Pressure	0.007	0.026	0.059	0.104	0.163	0.234
		Throw	3 - 6	10 - 14	14 - 20	19 - 24	22 - 27	24 - 29
		NC	<20	<20	<20	25	31	37
Length 5 Ft. Inlet 10 in.	Ak 0.245	CFM	75	125	200	250	300	375
		Total Pressure	0.009	0.024	0.062	0.097	0.139	0.218
		Throw	5 - 9	11 - 15	17 - 24	21 - 27	24 - 29	27 - 32
		NC	<20	<20	<20	26	31	38

3 - SLOT

Length 2 Ft. Inlet 8 in.	Ak 0.147	CFM	50	75	125	175	225	250
		Total Pressure	0.011	0.024	0.066	0.129	0.214	0.264
		Throw	4 - 8	8 - 12	14 - 19	19 - 21	21 - 24	22 - 26
		NC	<20	<20	<20	28	35	39
Length 4 Ft. Inlet 10 in.	Ak 0.294	CFM	75	150	225	300	375	450
		Total Pressure	0.006	0.026	0.058	0.102	0.160	0.231
		Throw	3 - 7	12 - 17	18 - 25	24 - 29	27 - 32	30 - 35
		NC	<20	<20	<20	27	33	38
Length 5 Ft. Inlet 12 in.	Ak 0.368	CFM	100	200	300	400	500	600
		Total Pressure	0.007	0.028	0.063	0.111	0.174	0.250
		Throw	4 - 9	14 - 20	21 - 29	28 - 33	31 - 37	34 - 41
		NC	<20	<20	21	30	36	41

4 - SLOT

Length 2 Ft. Inlet 8 in.	Ak 0.196	CFM	50	100	150	200	250	300
		Total Pressure	0.007	0.026	0.059	0.104	0.163	0.234
		Throw	3 - 6	10 - 14	14 - 19	19 - 24	22 - 27	24 - 29
		NC	<20	<20	<20	25	31	37
Length 2 Ft. Inlet 12 in.	Ak 0.392	CFM	100	200	300	400	500	600
		Total Pressure	0.006	0.025	0.056	0.100	0.156	0.224
		Throw	4 - 8	14 - 19	20 - 28	27 - 33	31 - 37	34 - 41
		NC	<20	<20	<20	28	34	40
Length 2 Ft. Inlet 12 in.	Ak 0.490	CFM	150	250	400	500	600	750
		Total Pressure	0.010	0.027	0.070	0.109	0.157	0.245
		Throw	6 - 12	15 - 21	24 - 33	30 - 37	34 - 41	38 - 45
		NC	<20	<20	23	29	34	41

- Total Pressure in inches water.
- Throw data based on isothermal air at 100 and 50 FPM terminal velocity.
- NC data based on 10dB room attenuation.

**PLENUM BOXES
PERFORMANCE DATA
SLOT DIFFUSER WITH PLENUM 1, 2, 3 & 4 SLOT
(1" SLOT WIDTH)**



1 - SLOT

Length 2 Ft. Inlet 6 in.	Ak 0.057	CFM	20	35	50	75	100	125
		Total Pressure	0.010	0.031	0.063	0.141	0.251	0.393
		Throw	3 - 6	6 - 9	9 - 13	12 - 15	14 - 17	16 - 19
Length 4 Ft. Inlet 8 in.	Ak 0.114	CFM	50	75	100	150	200	250
		Total Pressure	0.016	0.036	0.064	0.144	0.256	0.400
		Throw	6 - 9	9 - 14	13 - 18	17 - 21	20 - 24	22 - 27
Length 5 Ft. Inlet 10 in.	Ak 0.143	CFM	75	100	150	200	250	300
		Total Pressure	0.022	0.040	0.089	0.159	0.248	0.358
		Throw	8 - 12	11 - 16	17 - 21	20 - 24	22 - 27	24 - 29
		NC	<20	<20	22	30	37	44

2 - SLOT

Length 2 Ft. Inlet 6 in.	Ak 0.114	CFM	50	75	100	125	150	200
		Total Pressure	0.019	0.042	0.075	0.117	0.169	0.300
		Throw	6 - 9	9 - 14	13 - 18	16 - 19	17 - 21	20 - 24
Length 4 Ft. Inlet 8 in.	Ak 0.228	CFM	100	150	200	250	300	400
		Total Pressure	0.020	0.045	0.079	0.124	0.178	0.317
		Throw	9 - 13	13 - 19	18 - 25	22 - 27	24 - 29	28 - 33
Length 5 Ft. Inlet 10 in.	Ak 0.285	CFM	150	200	250	300	400	500
		Total Pressure	0.026	0.046	0.072	0.104	0.184	0.288
		Throw	12 - 17	16 - 22	20 - 28	24 - 29	28 - 33	31 - 37
		NC	<20	<20	20	25	33	38

3 - SLOT

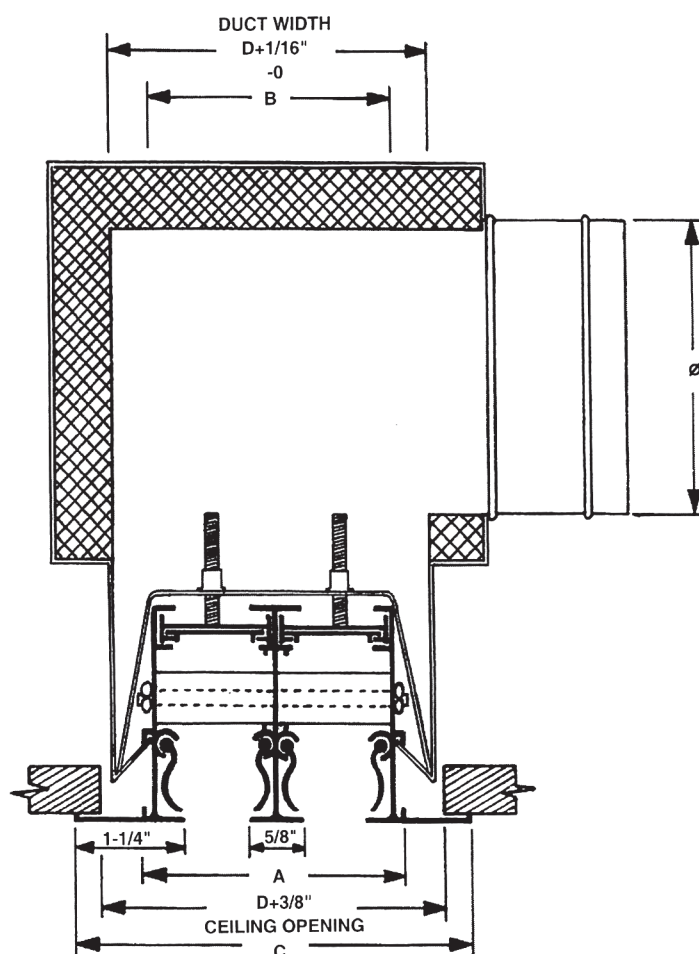
Length 2 Ft. Inlet 8 in.	Ak 0.171	CFM	75	100	150	175	225	300
		Total Pressure	0.018	0.031	0.070	0.096	0.158	0.281
		Throw	8 - 10	10 - 15	15 - 22	18 - 23	21 - 25	24 - 29
Length 4 Ft. Inlet 10 in.	Ak 0.342	CFM	150	225	300	400	500	600
		Total Pressure	0.019	0.044	0.078	0.138	0.216	0.311
		Throw	11 - 16	16 - 23	23 - 29	29 - 33	31 - 37	34 - 41
Length 5 Ft. Inlet 12 in.	Ak 0.428	CFM	200	300	400	500	600	700
		Total Pressure	0.021	0.047	0.083	0.130	0.187	0.254
		Throw	13 - 18	20 - 27	26 - 33	33 - 37	34 - 41	37 - 44
		NC	<20	<20	24	30	34	38

4 - SLOT

Length 2 Ft. Inlet 8 in.	Ak 0.228	CFM	100	150	200	250	300	400
		Total Pressure	0.020	0.045	0.079	0.1224	0.178	0.124
		Throw	9 - 13	13 - 19	18 - 25	22 - 27	24 - 29	28 - 33
Length 4 Ft. Inlet 12 in.	Ak 0.456	CFM	200	300	400	500	600	700
		Total Pressure	0.019	0.042	0.075	0.117	0.169	0.230
		Throw	13 - 18	19 - 26	25 - 35	32 - 37	34 - 41	37 - 44
Length 5 Ft. Inlet 12 in.	Ak 0.570	CFM	300	400	500	600	700	800
		Total Pressure	0.030	0.054	0.084	0.121	0.165	0.215
		Throw	17 - 24	23 - 31	28 - 39	34 - 41	37 - 44	40 - 47
		NC	<20	<20	23	28	32	36

- Total Pressure in inches water.
- Throw data based on isothermal air at 100 and 50 FPM terminal velocity.
- NC data based on 10dB room attenuation.

INSTALLATION DETAILS



Ceiling opening – width for 3/4" slot

No. of Slots	1	2	3	4	5	6	7	8
A (in.)	1.65	2.99	4.33	5.67	7.01	8.35	9.65	10.94
B (in.)	1.42	2.76	4.09	5.43	6.81	8.15	9.41	10.71
C (in.)	3.31	4.61	5.94	7.28	8.58	9.96	11.38	12.64
D (in.)	2.28	3.62	4.95	6.29	7.67	9.01	10.27	11.57

Ceiling opening – width for 1" slot

No. of Slots	1	2	3	4	5	6	7	8
A (in.)	1.94	3.58	5.23	6.88	8.52	10.17	11.81	13.46
B (in.)	1.70	3.35	4.99	6.64	8.28	9.93	11.58	13.22
C (in.)	3.48	5.13	6.77	8.42	10.06	11.71	13.36	15.00
D (in.)	2.57	4.21	5.86	7.50	9.15	10.80	12.44	14.09