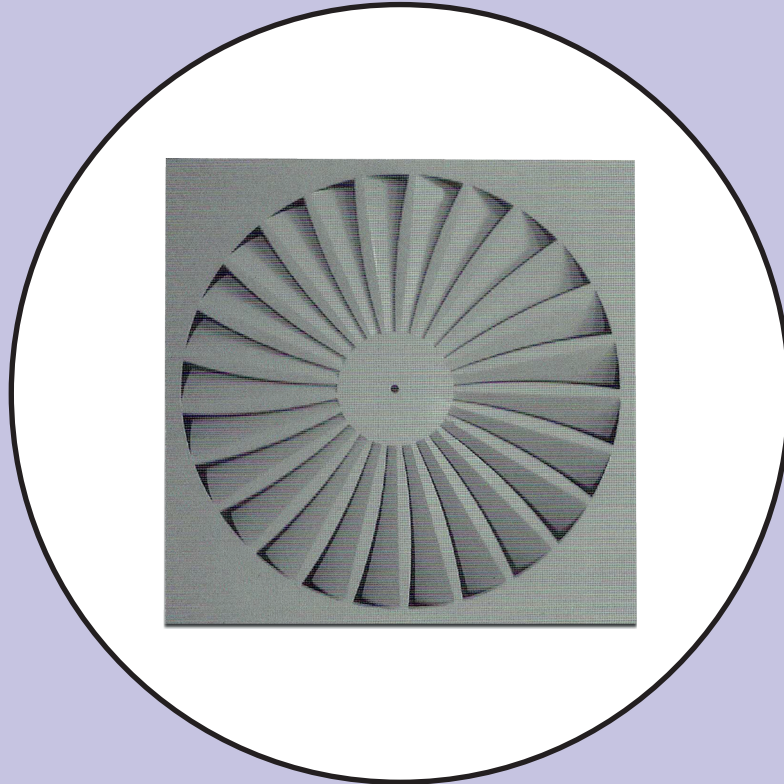


جي جي سي

G G C

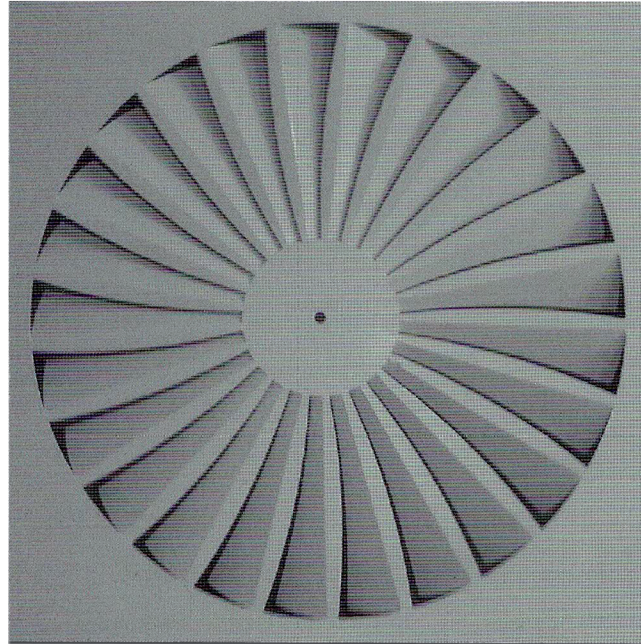
شركة الخليج لفتحات التكييف المركزي

GULF GRILLES CO.



FIXED BLADE
SWIRL DIFFUSER

A20
FIXED BLADE
SWIRL DIFFUSER



PRODUCT DESCRIPTION:

- A Swirl diffuser has fixed spiral blades that create rotational as well as axial, tangential and radial air movement, which produces a strong horizontal swirl allowing the supply air flow to rapidly mix with the ambient air to reduce the temperature of the space being supplied.
- Swirl diffuser is also suitable for return air application due to low pressure drop across the grille.
- Swirl diffuser is made of 1 mm thick aluminum sheet by integrally formed stamped blades.
- Standard finish is white, painted under electrostatic polyester powder coating system. The polyester powder coating of highest quality is used to enhance the appearance of the units.
- Applications include offices, retail premises, hotels, reception areas, fitness suits and other similar areas.

INSTALLATION

- The diffuser is fastened to the plenum box or adapter by a single countersunk screw in the center of the panel or by countersunk screws fastened at the corner of the diffuser.

MODEL	SIZE (mm)			CFM RANGE	Area effective (m ²)
	W X H	Do	Di		
FBSD - 18	600 X 600	530	140	180 - 800	0.062
	595 X 595				

DIFFUSER ADAPTER

SQUARE TO ROUND NECK ADAPTORS:

Application :

Square to round adaptor that is field-installed to allow the use of flexible or round rigid duct.

Features and Installation:

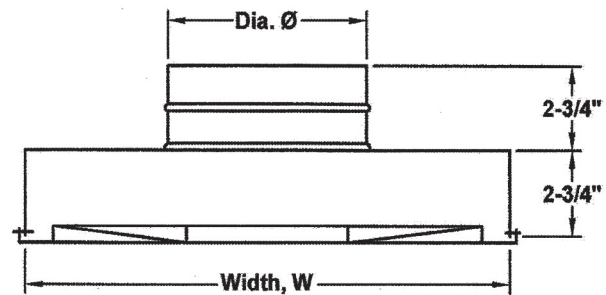
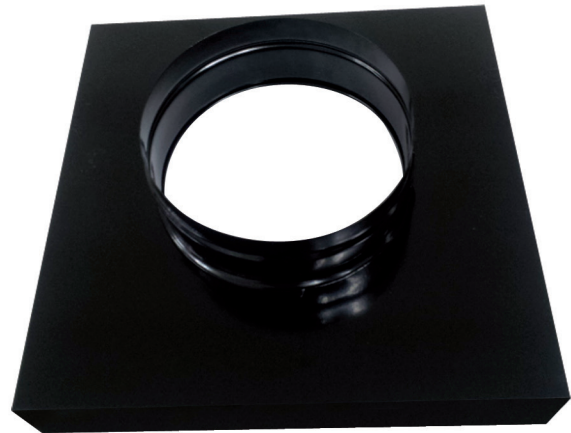
Square to round neck adaptors are available on all type diffusers, designed to provide for an economical transition from square to round neck on those projects using flexible or round rigid connections.

Material and Finish:

Constructed of 24 G.A. galvanized steel, with powder coated black finish.

SIZES

Sizes (mm)	Diameter (mm)	Width (mm)
600 X 600 Or 595 X 595	150	595 X 595 Or 590 X 590
	200	
	250	
	300	



SQUARE TO SQUARE NECK ADAPTORS :

Application :

Square to square adaptor that is field-installed to allow the use of square duct.

Features and Installation:

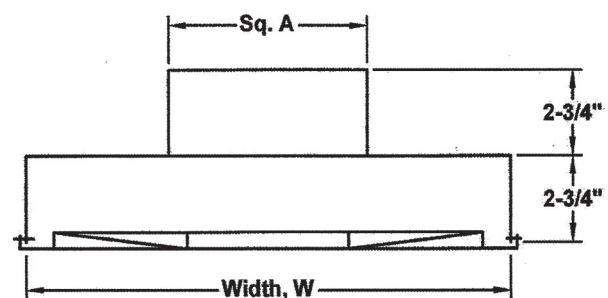
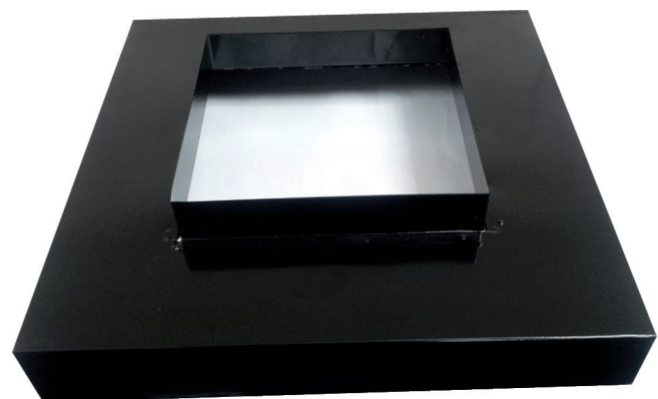
Square to square neck adaptors are available on all type diffusers, designed to provide from square to square neck on those projects using square neck connections.

Material and Finish:

Constructed of 24 G.A. galvanized steel, with powder coated black finish.

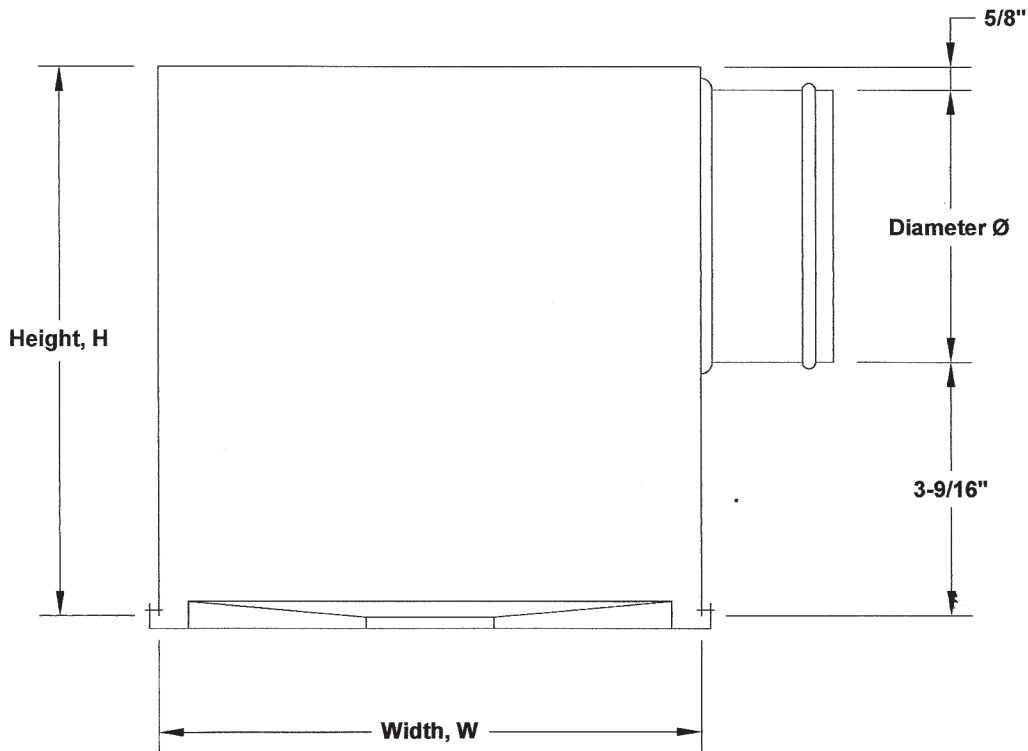
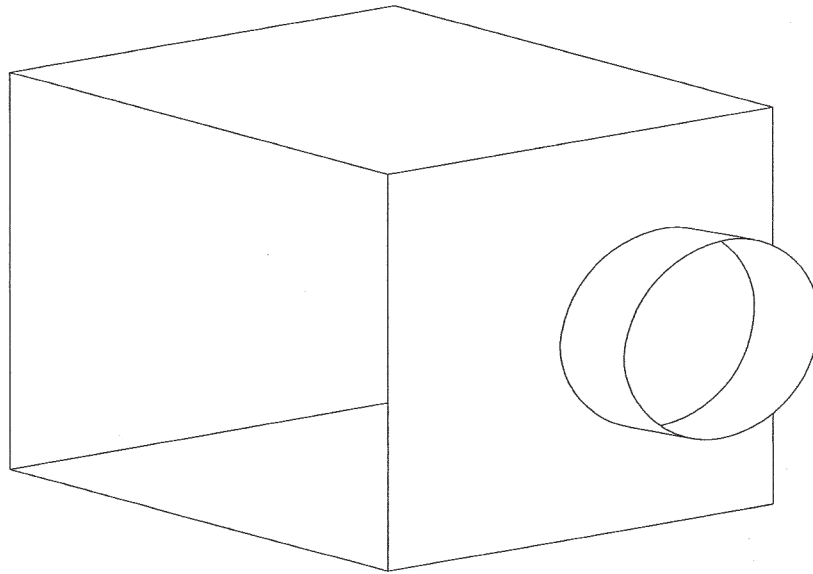
SIZES

Sizes (mm)	A (mm)	Width (mm)
600 X 600 Or 595 X 595	150 x 150	600 X 600 Or 595 X 595
	200 x 200	
	250 x 250	
	300 x 300	

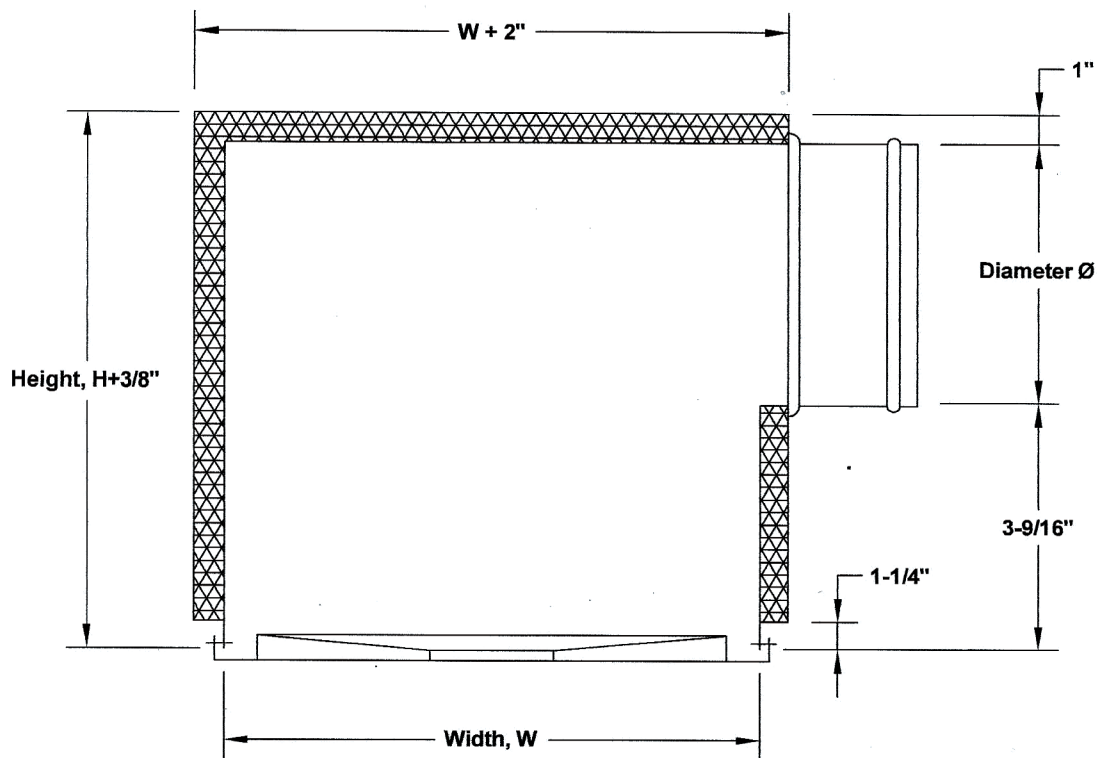
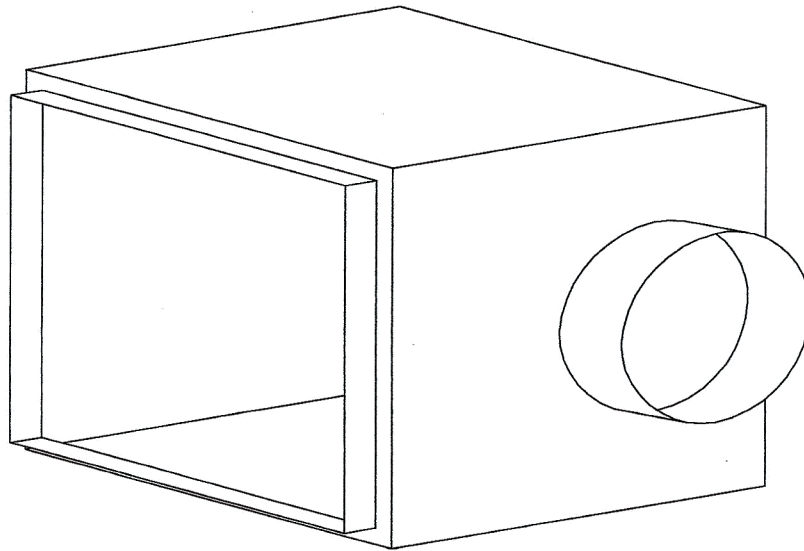


FIXED BLADES SWIRL DIFFUSER WITH ADAPTER PERFORMANCE DATA

Module Size (mm)	Adapter Neck Size	Neck Velocity, fpm	200	300	400	500	600	700	800	900	1000	1100	1200	1300
600 x 600	150 mm	Vel. Pr (in.of.wg)	0.002	0.006	0.01	0.016	0.022	0.031	0.04	0.051	0.062	0.075	0.09	0.105
		Airflow, cfm	38	57	76	95	114	133	152	171	190	209	228	247
		Total Pressure	0.004	0.012	0.022	0.034	0.049	0.067	0.087	0.106	0.126	0.155	0.188	0.219
	200 mm	NC	-	-	4	9	13	16	19	23	26	30	33	35
		Throw	1-3	2-4	3-5	3-6	4-6	5-7	5-7	5-8	6-8	6-9	6-9	7-9
		Airflow, cfm	68	101	135	169	203	237	271	304	338	372	406	440
	250 mm	Total Pressure	0.008	0.017	0.030	0.047	0.067	0.094	0.117	0.145	0.189	0.218	0.259	0.304
		NC	-	6	12	17	21	27	31	35	38	40	41	43
		Throw	2-3	2-4	3-5	3-7	4-7	5-8	5-9	6-9	7-10	7-10	7-11	8-11
	595 X 595	Airflow, cfm	106	159	211	264	317	370	423	476	528	581	634	-
		Total Pressure	0.011	0.024	0.043	0.068	0.144	0.152	0.191	0.240	0.297	0.359	0.427	-
		NC	-	10	16	21	28	34	36	40	42	44	46	-
300 mm	Throw	2-4	3-6	4-8	5-9	6-10	7-11	8-12	9-13	9-13	10-14	10-14	-	
	Airflow, cfm	152	228	304	380	457	533	609	685	761	837	-	-	
	Total Pressure	0.023	0.053	0.094	0.138	0.199	0.271	0.354	0.448	0.554	0.670	-	-	
600 x 600	NC	9	18	24	30	38	41	44	47	49	51	-	-	
	Throw	3-5	4-8	5-10	6-11	8-13	9-14	10-15	11-15	12-16	12-17	-	-	



Sizes (inches)	Dia (inches)	Width (inches)	Height (inches)
24x24	6	23.80	9
	8	23.80	11
	10	23.80	13
	12	23.80	15



Sizes (inches)	Dia (inches)	Width (inches)	Height (inches)
24x24	6	23.80	9
	8	23.80	11
	10	23.80	13
	12	23.80	15