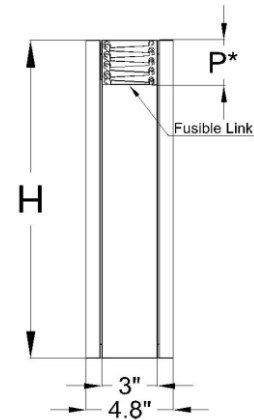
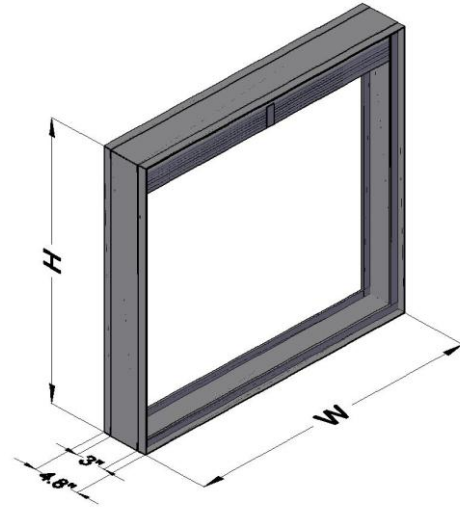


STANDARD CONSTRUCTION

- **Frame** : 4-7/8" (122 mm) wide X 20 gauge (1mm) roll formed galvanized steel.
- **Blades** : Interlocking type (curtain type), 22 gauge (0.8 mm) galvanized steel.
- **Fusible Link** : Standard for fusing temperatures of 165°F. UL Listed. Other fusing temperatures are available on request.
- **Mounting** : Vertical.
- **Fire Rating** : 3 hours.
- **Sizes** : All sizes are available up to 36" X 36" for single section fire damper; any size more than 36" X 36" available with multi section fire damper.



ONLINE CERTIFICATIONS DIRECTORY

Fire damper For Use in Static Systems

Model	Hr Class	Damper Mounting Positiong	Single Section Damper Size, in.		Multiple Section Damper Size, in.	
			W	H	W	H
FD20-VA	3	V	36	36	72	72

http://database.ul.com/cgi-bin/XYV/template/LISEXT/1FRAME/index.html?utm_source=ulcom&utm_medium=web&utm_campaign=database



STANDARD CONSTRUCTION

• **Frame** : 4-7/8" (122 mm) wide X 20 gauge (1mm) roll formed galvanized steel.

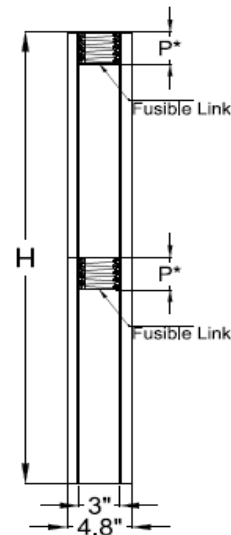
• **Blades** : Interlocking type (curtain type), 22 gauge (0.8 mm) galvanized steel.

• **Fusible Link** : Standard for fusing temperatures of 165°F. UL Listed. Other fusing temperatures are available on request.

• **Mounting** : Vertical.

• **Fire Rating** : 3 hours.

• **Sizes** : All sizes more than 36" X 36" available with multiple section fire damper, any size less than 36" X 36" available for single section fire damper.



ONLINE CERTIFICATIONS DIRECTORY

Fire damper For Use in Static Systems

Model	Hr Class	Damper Mounting Positiong	Single Section Damper Size, in.		Multiple Section Damper Size, in.	
			W	H	W	H
FD20-VA	3	V	36	36	72	72

http://database.ul.com/cgi-bin/XYV/template/LISEXT/1FRAME/index.html?utm_source=ulcom&utm_medium=web&utm_campaign=database