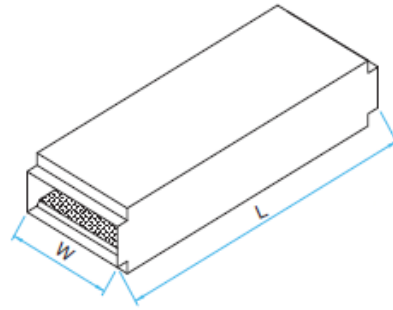


# SA40

## CROSS TALK SILENCERS



### Application:

GGC Cross Talk Silencers are designed to maintain sound transmission ratings in relatively low velocity air transfer between adjoining areas. The acoustic baffles provide good attenuations of talking and unwanted noise while permitting the fresh air to pass across the space. It is mostly used in walls between two adjoining areas.

### Fabrication details:

- 1- **Outer Casing:** Lock formed 20 gauge galvanized sheet steel constructed to the relevant 'HVAC' ductwork specification where applicable. All fixing are by rivets for strength and rigidity.
- 2- **Baffles:** They are made of 20 gauge perforated galvanized steel filled with inorganic sound absorbing material that is resistant to vermin and moisture.

# SA40



## CROSS TALK SILENCERS

---

### CROSS TALK SILENCERS PERFORMANCE DATA

SA40-CT		Mid-frequency octave bands, Hz							
MODEL	LENGTH(MM)	63	125	250	500	1000	2000	4000	8000
SA250-CT	500	5	7	10	15	23	17	13	11
SA250-CT	750	6	9	14	23	37	29	22	16
SA250-CT	1000	8	14	19	31	48	37	28	21
SA250-CT	1250	9	14	23	38	50	44	23	26
SA250-CT	1500	10	16	27	45	50	50	39	31

# SA40



## CROSS TALK SILENCERS

### SELECTION & PRESSURE DROP

Air Velocity at duct size WxH(m/s)		2.0	3.0	4.0	5.0
Self noise guide against velocity		NC25	NC30	NC35	NC40
width (mm)	height (mm)	flow rate (CFM)			
Pressure Drop (pa)		<5	10	15	25
200	200	170	255	339	424
250	200	212	318	424	530
300	200	255	381	509	636
350	200	297	445	593	742
400	200	339	509	678	848
Pressure Drop (pa)		10	20	35	50
250	250	265	403	530	667
300	250	318	477	636	795
350	250	371	562	742	932
400	250	424	636	848	1059
450	250	477	720	954	1197
500	250	530	795	1059	1324
Pressure Drop (pa)		15	30	55	85
300	300	381	572	763	954
350	300	445	667	890	1112
400	300	509	763	1017	1271
450	300	572	858	1144	1430
500	300	636	954	1271	1589
550	300	699	1049	1398	1748
600	300	763	1144	1526	1907