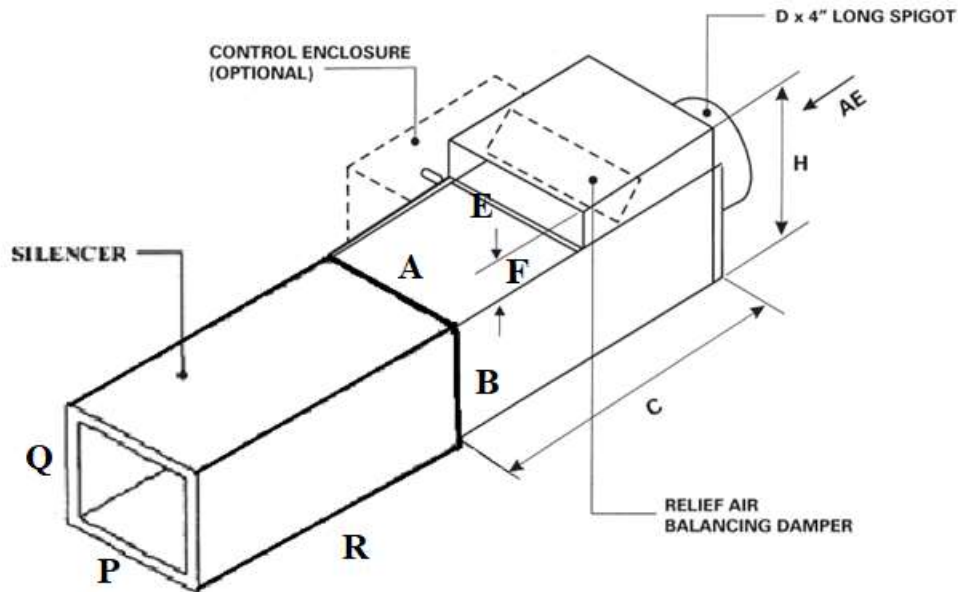


VAD90-CS

VARIABLE AIR VOLUME STANDARD CONSTRUCTION FEATURE BY - PASS VAV WITH SILENCER



PRODUCT DESCRIPTION

- The complete casing with by-pass damper section is made up of 22 gauge zinc coated mill galvanized steel.
- 1" thick fiberglass 24 kg/mt.³ densities comfortably acting as acoustic attenuator and thermal resistant barrier insulate the casing.
- The VAV damper blade and control shaft (3/8"- ϕ) are extruded aluminum mechanically keyed together as a single piece.
- Operation of blade by maintenance free nylon bearings for smooth and noiseless operation and the damper closing against a gasket seal.

VAD90-CS

VARIABLE AIR VOLUME STANDARD CONSTRUCTION FEATURE BY - PASS VAV WITH SILENCER



- Silencer box made of galvanized steel sheet, filled from inside by fiberglass internal insulation 1 " thick to reduce discharge noise.
- Silencer dimensions: - W x H takes the discharge size related to the selected model.

MODEL	CFM RANGE	DISCHARGE		LENGTH	COLLAR	EQUIVALENT	BY-PASS OPENING		H	SILENCER SIZE		
		A	B	C	DIA-D	OVAL SIZE	E	F		P	Q	R
VAD90-02CS	125-250	12	10	24	6	N/A	12	4	14	10	8	24
VAD90-04CS	250-475	12	10	24	8	N/A	12	4	14	10	8	24
VAD90-06CS	350-725	12	10	24	9	7 7/8 X 9 7/16	12	4	14	10	8	24
VAD90-08CS	475-1000	17	10	30	10	7 7/8 X 11 1/32	17	4	14	15	8	24
VAD90-10CS	700-1450	17	10	30	12	7 7/8 X 14 3/16	17	4	14	15	8	24
VAD90-12CS	1000-1950	27	10	36	14	7 7/8 X 17 5/16	27	4 1/2	14 1/2	25	8	24
VAD90-14CS	1250-2500	34	10	36	16	7 7/8 X 20 1/2	34	4 1/2	14 1/2	32	8	24